

## 2- wire Loop Powered Display

### PEK290



#### Application Area

All transmitters with an output signal 4 to 20 mA

#### Performance

- No additional power supply required
- Compact design
- Easy programming with push buttons
- Revers polarity
- Low power consumption
- LCD can work at 3 mA

#### General information

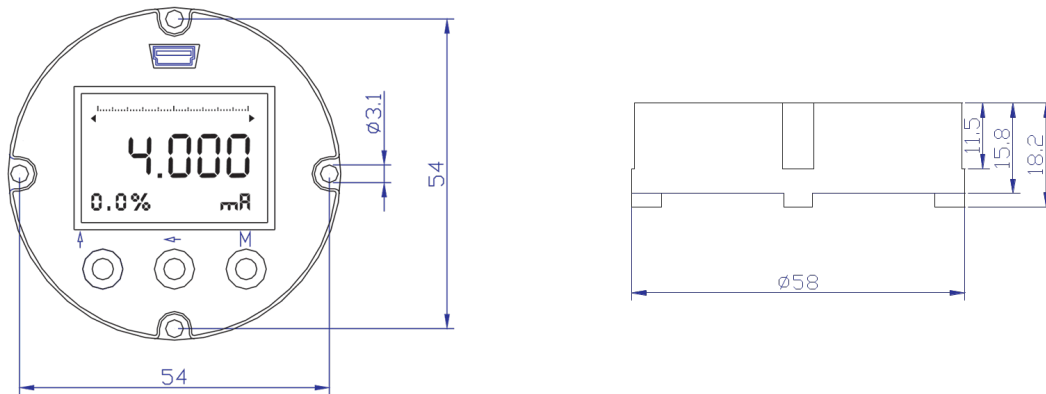
- PEK290 display is fit for all of the transmitters and converters with 4 ~ 20 mA 2 wires technique, just as pressure, differential pressure, temperature, flow, PH, acceleration and so on.
- 16 Bit ADC MCU inside
- Customer can use the three buttons to program the zero, span, decimal point, damping and alarm point etc.

- PEK290 display is fit for all of the transmitters and converters with 4 ~ 20 mA 2 wires technique, just as pressure, differential pressure, temperature, flow, PH, acceleration and so on.
- 16 Bit ADC MCU inside
- Customer can use the three buttons to program the zero, span, decimal point, damping and alarm point etc.
- Over or under range is displayed as a message. The integrated smart diagnostic system continuously monitors all device function.
- The programmed parameters are stored in an EE-PROM and being kept in case of a power failure.
- PEK290 can indicate the current measure value input in per sent through bars meter.
- Many kinds of the units can be displayed, such as mA, us, PH, mbar etc.
- PEK290 display is powered by the current loop of the 4 to 20 mA signal transmitter. No additional auxiliary power is required.

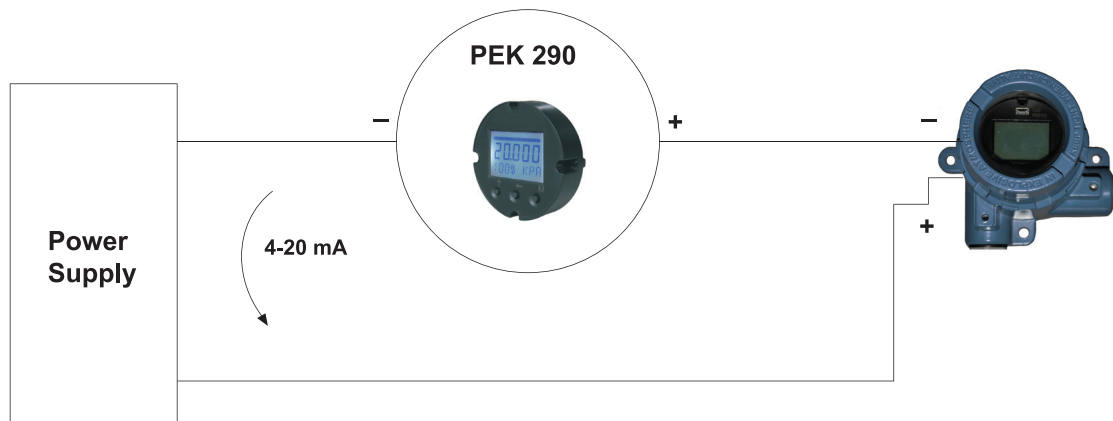
## Specifications

Display	
Type	Visible range 32.5 X 22.5mm LCD Type
Range	-9.9.9.9.to 9.9.9.9.9.
Accuracy	0.1%±1digit
Digital damping	0 to 100 s (step 0.1 s)
Units	mA, mV, V, bar, mbar, Pa, kPa, MPa, mH <sub>2</sub> O, mmH <sub>2</sub> O, cm-H <sub>2</sub> O, mmHg, PSI, TOR, kg, g, N, kN, °C, oF, K, RH, VOL, PPM, LEL, PH, m, cm, mm, INCH, m/s, Ohm, kohm, %
Supply	
Supply	Not required, 4 to 20 mA loop powered
Voltage drops	≤3.1V
Electrical protection	
Short-circuit protection	Permanent
Reverse polarity protection	Max. current: approx. 200 mA
Ambient temperature	
Operating	-30 to 70 °C
Storage	-40 to 70 °C
Materials	
Display housing	ABS
Others	
Weight	Approx.30g
Ingress protection	IP 00 (IP65 when used enclosure)
Option	
Enclosure	PEK003

### Dimension



### Electrical connection



---

**Pars Electronic Kish**

Unit, No. 20, Qavam pour Alley, North  
Sheikh Bahai St, Tehran, Iran

Tel: +9821-88613511  
Fax: +9821-88602547  
info@parsek.org  
www.parsek.org

